



14+ AGES

VORTEX

2.4G RC HIGH SPEED RACING BOAT

FTX0700

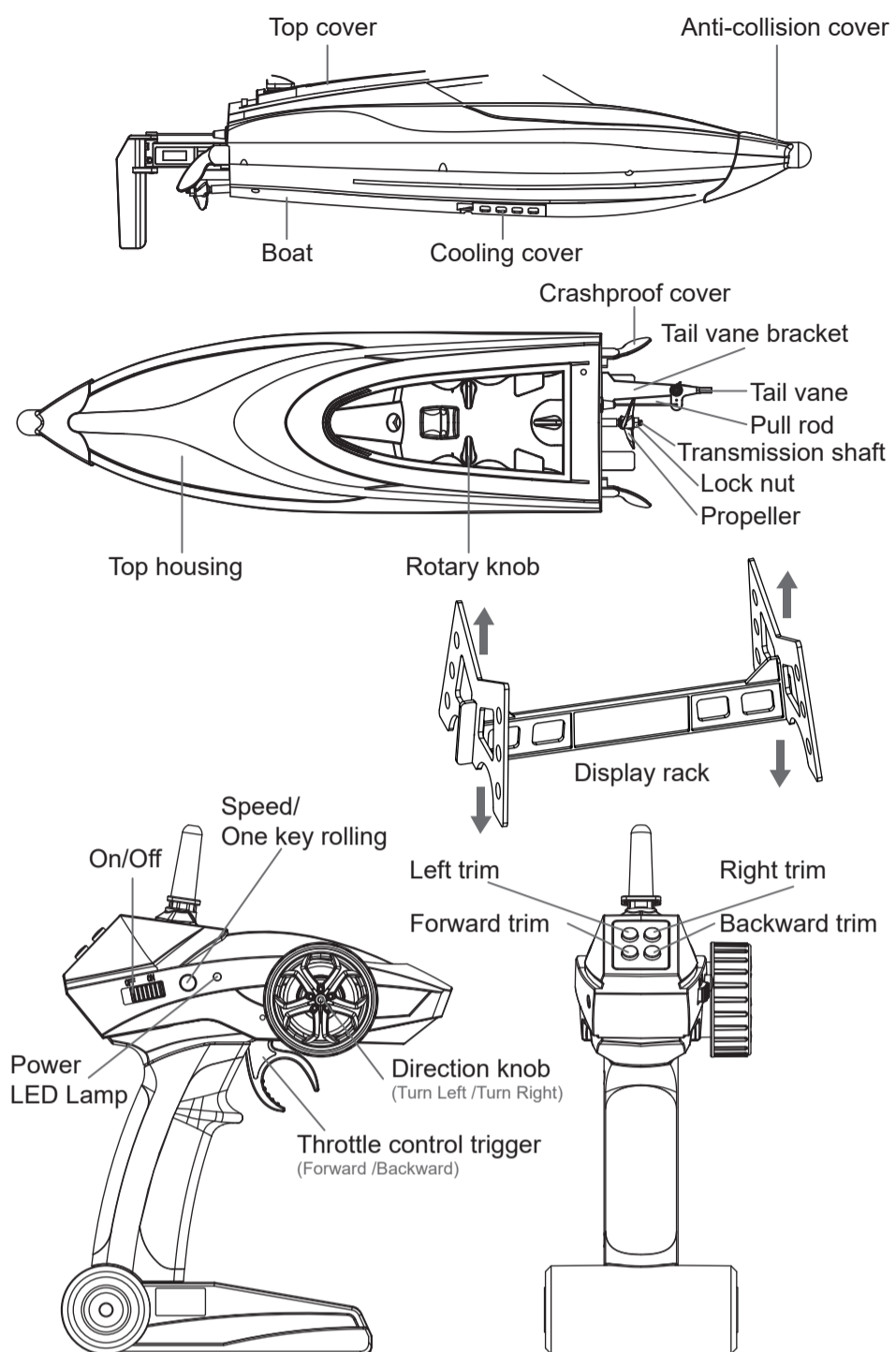


ATTENTION: Please read all the warnings and instructions carefully before using this product

NOTICE: That's a normal phenomenon if water comes into the boat during running, all the inner parts are waterproof and will not effect performance. You only need to open the water outlet to pour out the water after each use.

FTX IS AN EXCLUSIVE BRAND OF CML DISTRIBUTION
SAXON HOUSE, SAXON BUSINESS PARK, HANBURY ROAD, BROMSGROVE,
WORCESTERSHIRE, B60 4AD ENGLAND.
EMAIL: INFO@FTX-RC.COM WEB: WWW.FTX-RC.COM

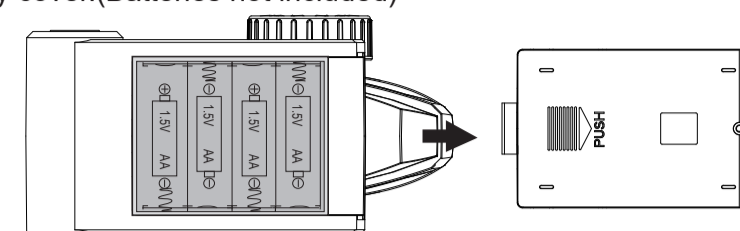
Main Structures of RC Boat



-1-

Methods for Installing Batteries of Remote Controller

Open the battery cover of the remote controller; insert 4 X 1.5 V AA batteries into the battery case according to positive and negative electrodes, close the battery cover. (Batteries not included)

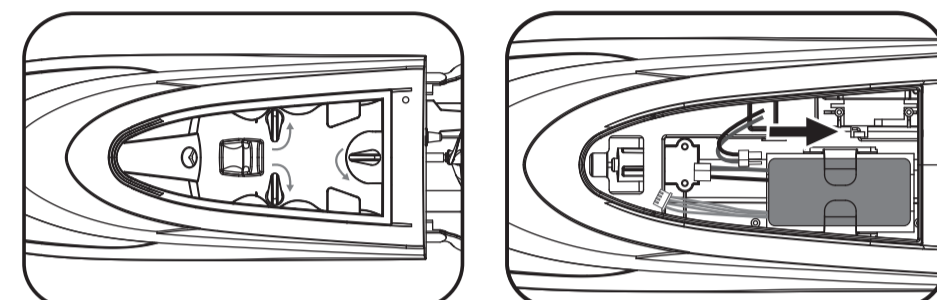


Battery Charging Instruction

Insert one side of the USB connector into the battery, and the other side into any computer USB port.

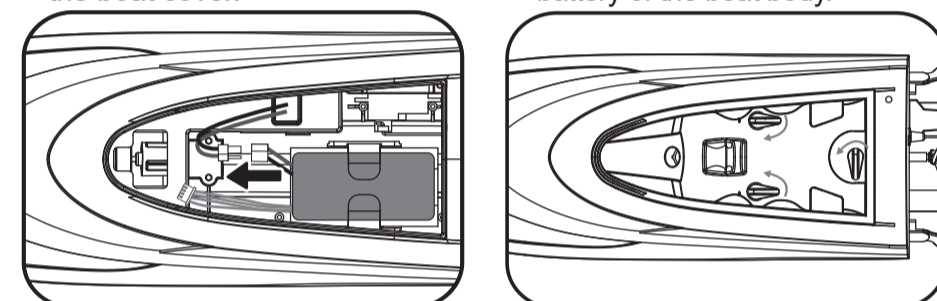


Methods for Installing Batteries of Boat Controller



1. Twist the Rotary knob to open the boat cover.

2. Put Li-poly battery in to the battery of the boat body.



3. Plug in the battery.

4. Close the boat cover and twist the Rotary knob.

-2-

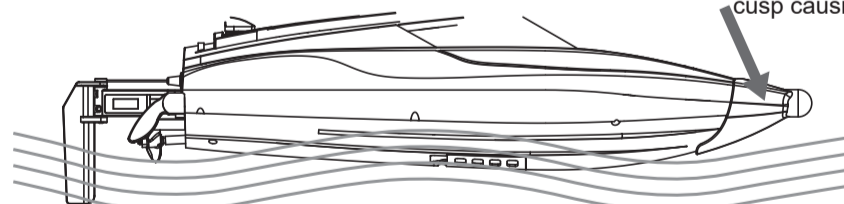
RC Boat Design Highlights:

- Unique cooling system
- Waterproof
- Anti-collision
- Hidden wires inside the cabin
- One-key rolling
- Low battery condition for remote control is alerted by a "beep...beep" sound
- Low battery condition for boat is alerted by a "beepbeep, beepbeep" sound of remote control

Operating Preparation

- Install and connect the battery to the boat.
- Attach and secure the top cover and place the boat in the water.
- Power on the controller. The red LED light will flash rapidly.
- The controller will automatically connect to the boat.
- The controller's LED light will be solid and a "beep" sound emitted to confirm that the connection has been successful.

Anti-collision part can prevent bow cusp causing injury.



Put the boat into the water, the boat will turn on automatically.

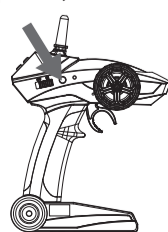
Note: The boat must first be placed in the water before any connection can be made.

Regulation

After the controller is connected to the boat successfully, if the propeller moves or makes any sound without pushing the accelerator, press the regulating button for adjustment. If the propeller rotates to the left, press the right regulating button. If the propeller rotates to the right, press the left regulating button.

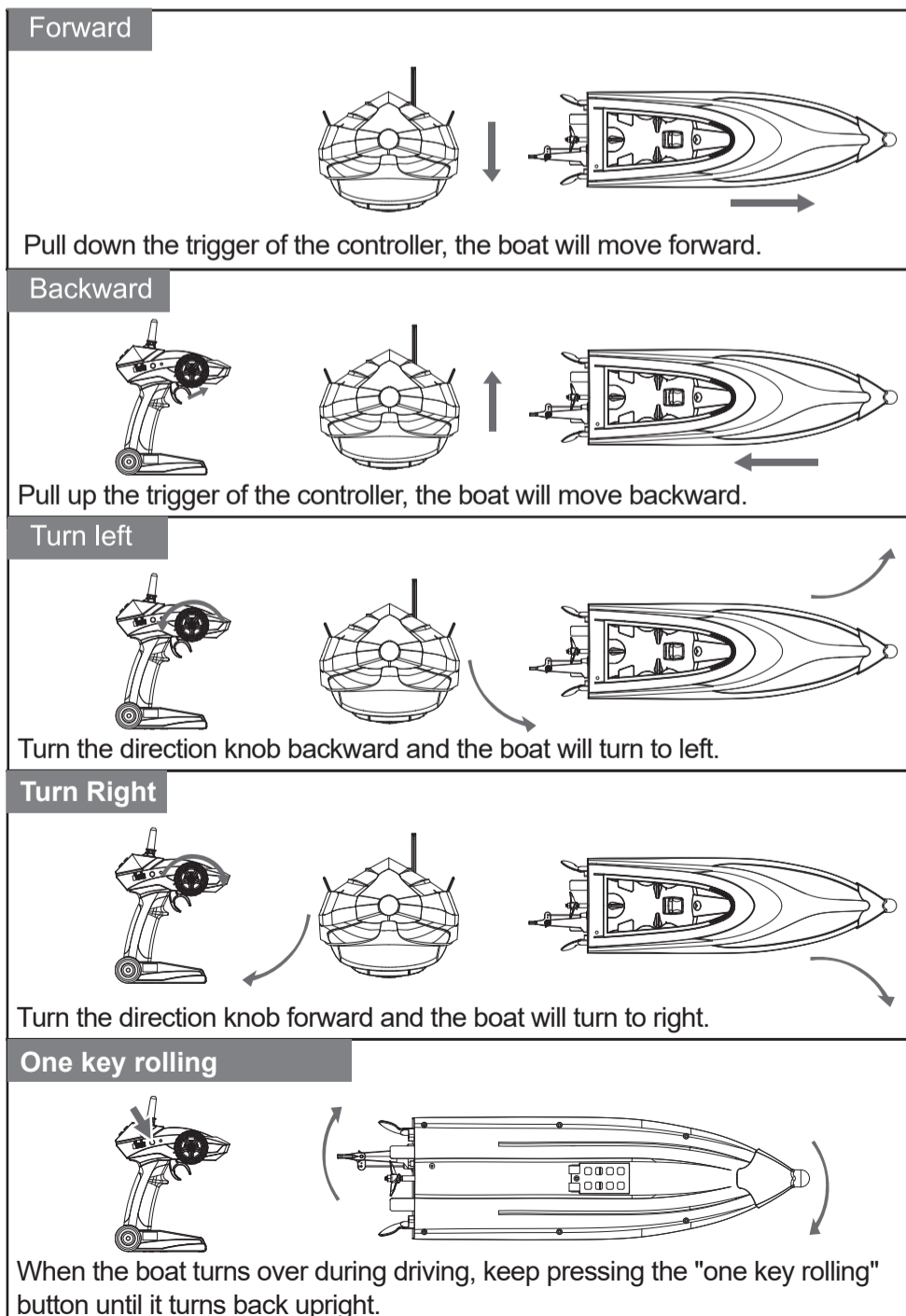
Switch High & Low Speed

The boat starts up with default high speed, press the speed button to change it, one "beep" for low speed, two "beeps" for high speed.



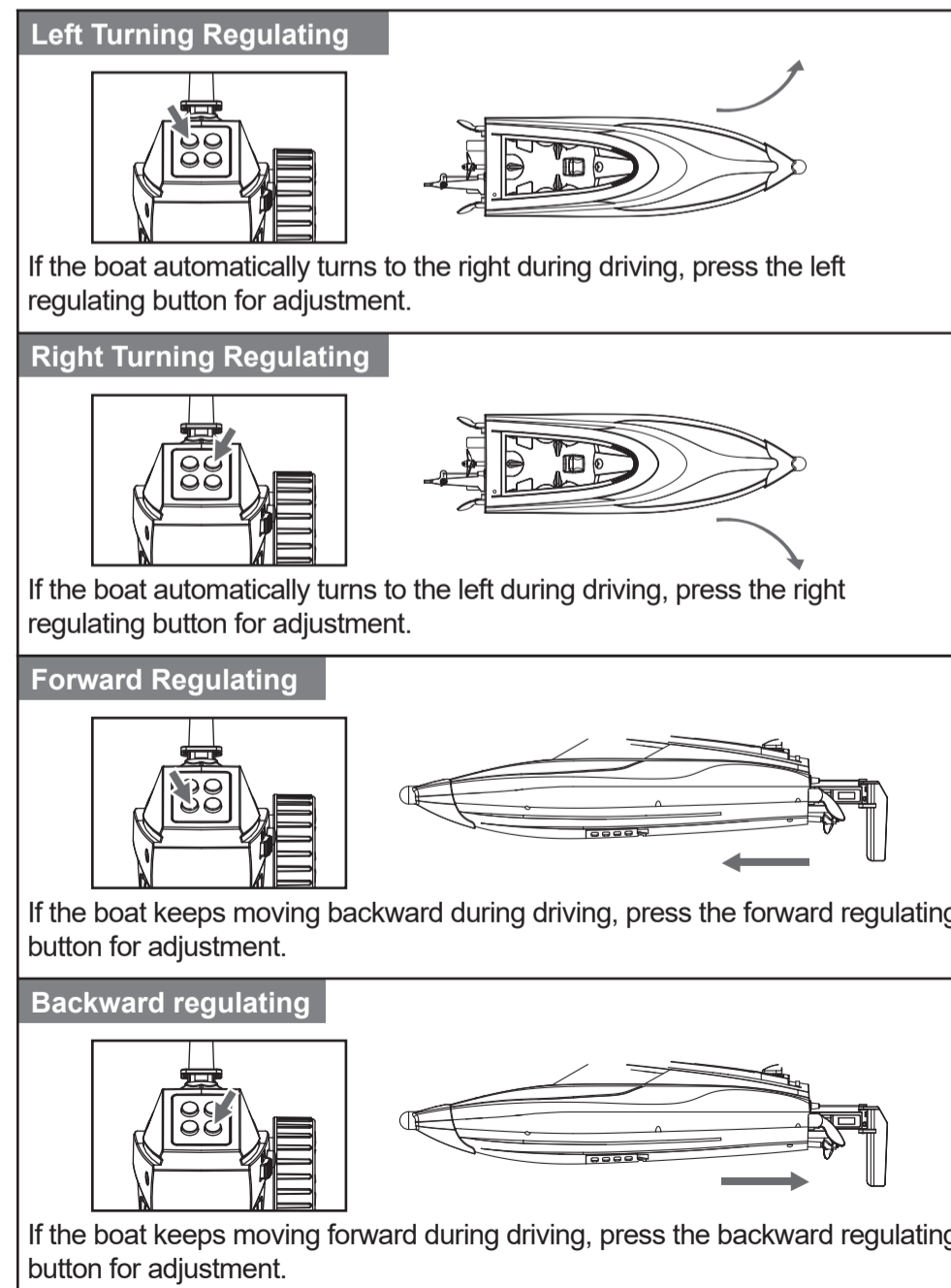
-3-

Operating Methods



-4-

Regulating



-5-